



Blue Ion LX

Grid Optional™ Energy Solution



Energy from renewables like solar is variable, leaving people still tethered to the utility grid with limited options to disconnect. Blue Planet Energy tames energy to make clean power work on demand and brings new options to leave the grid behind. Our Blue Ion LX is a premium Grid Optional™ energy solution that integrates the energy storage, system intelligence and site controls needed to be grid-free. Blue Ion LX is flexible and can also work in conjunction with the grid or generators in order to optimize using them, providing you the widest range of energy options. Built in the USA, the Blue Ion LX is ruggedized for use cases where energy is absolutely critical (*emergency services/healthcare*) or *prohibitively high-cost* (*business continuity/utility rate structures*).



Grid Optional™
Functions with or without
the Utility Grid



Fully Scalable
and Expandable



Operating
Temperature Range:



100% Usable
Capacity



21 Year Life
Expectancy

REMOVABLE SERVICE ENTRANCE
For safe serviceability

TUNABLE COOLING SYSTEM
Is adjustable for
environmental conditions

RUGGED EXTERIOR
Made of corrosion resistant galvanized and stainless steel components, plus a durable, textured powder coat finish for protection against harsh conditions

HIGH VOLTAGE DISCONNECT SWITCH
Is externally accessible for emergency safety

INTEGRATED SITE CONTROLS
Via an industry-leading 15.6" touchscreen

LOCK AND KEY CAM LATCH
For secure access only

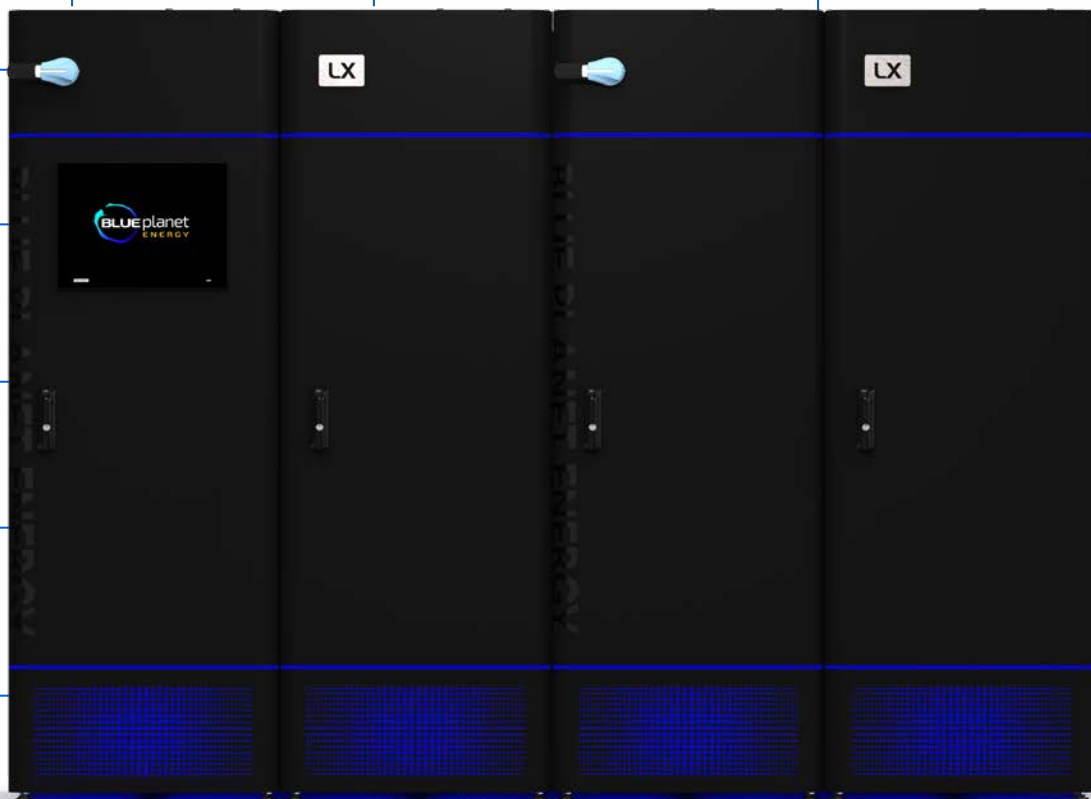
FIRE-SAFE BATTERY CHEMISTRY
With additional system safeguards built in

ECO-FRIENDLY AIR FILTER
Is washable and reusable

PEST RESISTANT UNDERSIDE PAN
Is removable and sealable

INDUSTRY FIRST ZERO-DISPLACEMENT DOOR HINGE
Allows for easy serviceability without sacrificing energy density

HEIGHT ADJUSTABLE STAINLESS FEET
To accommodate installation requirements



Model Number

Blue Ion LX Grid Optional™ Energy Solution

System Technical Specifications

MIN SYSTEM SIZE	125kW/128kWh
EXPANDABLE	32kWh increments
DIMENSIONS PER 32kWh ENCLOSURE (H x W x D)	76 in x 24 in x 32 in (193.04 cm x 60.96 cm x 81.28 cm)
DIMENSIONS TOTAL (128kWh SYSTEM, H x W x D)	76 in x 96 in x 32 in (193.04 cm x 243.84 cm x 81.28 cm)
MOUNTING	Adjustable Feet, Wall Mount, Floor Mount
ALTITUDE LIMITATIONS	16,404 ft (5,000 m) at Full Power

Applications

OFF-GRID	Generation source agnostic, generator interface, load control, islanding capable, resiliency
GRID INTERCONNECTED	Microgrid with full grid interactivity and full off-grid capability, zero export, self consumption, tariff optimization, demand management, load shifting

Battery Specifications

STORAGE TEMPERATURE RANGE	-4°F to 113°F (-20°C to 45°C)
DISCHARGE TEMPERATURE RANGE	-4°F to 122°F (-20°C to 50°C)
CHARGE TEMPERATURE RANGE	32°F to 113°F (0°C to 45°C)
OPERATING AMBIENT HUMIDITY	10% RH to 90% RH
ENCLOSURE TYPE	Indoor (NEMA 1)
PERFORMANCE WARRANTY	15 Years or 8,000 Cycles to 70%* Remaining Capacity (100% DoD)
COOLING NOISE dB	65dB
C-RATE	1C*
CHEMISTRY	Lithium Ferrous Phosphate
WEIGHT	1,300 lb (590 kg) for 32kWh increment

* Refer to warranty documentation

Controller Specifications

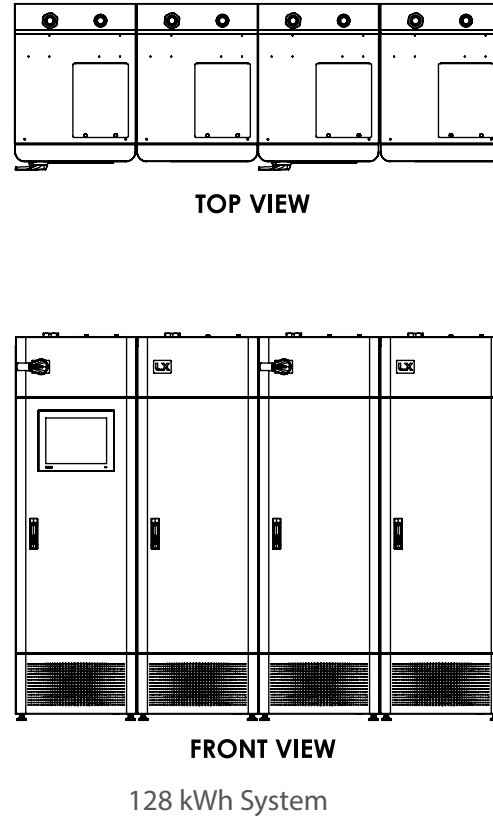
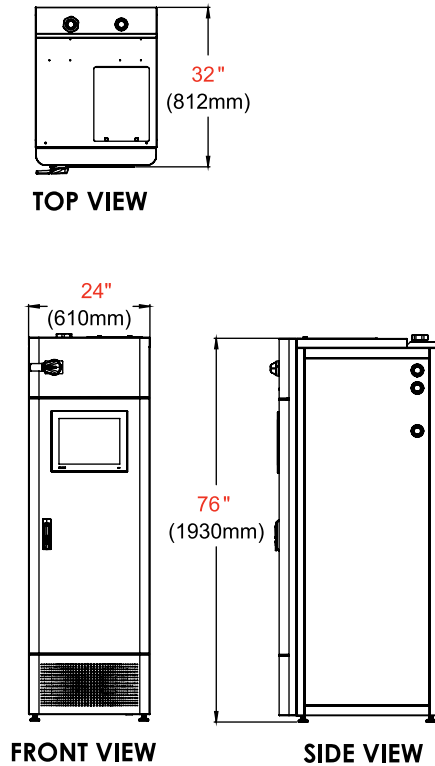
DATA ACCESS	Cloud, Local Area Network and/or Screen on LX-HV
-------------	--

Compliance Information

CERTIFIED TO	UL 9540, UL 9540A, UL 1642, UL 1741, UL 1973, UN 38.3, UL 1741 SA, IEEE 1547, Rule 21, HECO Listed
EMISSIONS	FCC Part 15 Class B, ICES-003 Class B
VENTILATION	As required by your local AHJ
FIRE SUPPRESSION	NFPA 13D or NFPA 13R <i>As applicable to your building</i>



All dimensions = inch (mm)



Blue Planet Energy
55 Merchant St., 17th Floor
Honolulu, HI 96813

1.866.957.2246
sales@blueplanetenergy.com
blueplanetenergy.com