



Blue Ion LX-HV Grid Optional™ Energy Solution



Energy from renewables like solar is variable, leaving people still tethered to the utility grid with limited options to disconnect. Blue Planet Energy tames energy to make clean power work on demand and brings new options to leave the grid behind. Our Blue Ion LX-HV is a premium Grid Optional™ energy solution that integrates the energy storage, system intelligence and site controls needed to be grid-free. Blue Ion LX-HV is flexible and can also work in conjunction with the grid or generators in order to optimize using them, providing you the widest range of energy options. Built in Chicago, Blue Ion LX-HV is ruggedized for use cases where energy is absolutely critical (emergency services/healthcare) or prohibitively high-cost (business continuity/utility rate structures).



Grid Optional™
Functions with or without
the Utility Grid



Fully Scalable
up to 2MW



**Operating
Temperature Range:**
-4°F to 113°F (-20°C to 45°C)



**100% Usable
Capacity**



**21 Year Life
Expectancy
(8,000 Cycles)**

**REMOVABLE
SERVICE ENTRANCE**
For safe serviceability

**HIGH VOLTAGE
DISCONNECT SWITCH**
Is externally accessible
for emergency safety

**INTEGRATED
SITE CONTROLS**
Via an industry-leading
15.6" touchscreen

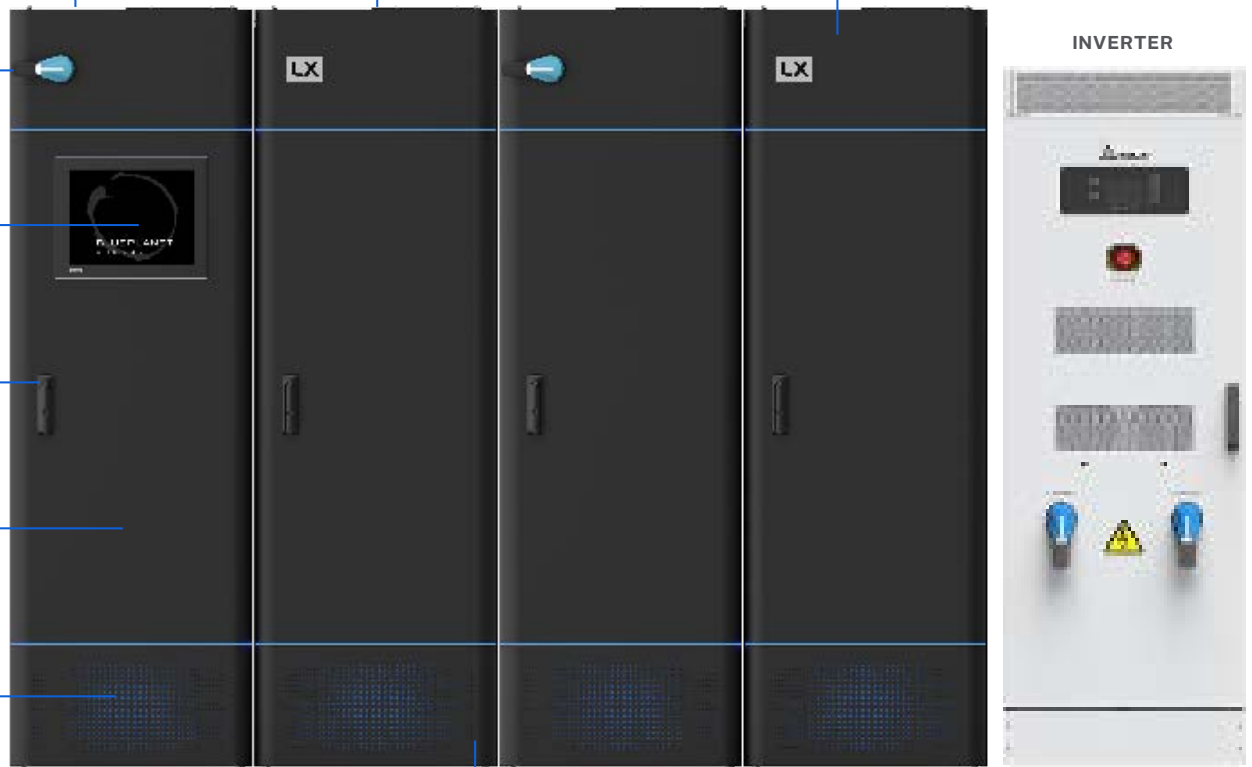
**LOCK AND
KEY CAM LATCH**
For secure access only

**FIRE-SAFE
BATTERY CHEMISTRY**
With additional system
safeguards built in

**ECO-FRIENDLY
AIR FILTER**
Is washable and reusable

**TUNABLE
COOLING SYSTEM**
Is adjustable for
environmental conditions

RUGGED EXTERIOR
Made of corrosion resistant galvanized
and stainless steel components, plus a
durable, textured powder coat finish for
protection against harsh conditions



**PEST RESISTANT
UNDERSIDE PAN**
Is removable and sealable

**INDUSTRY FIRST ZERO-
DISPLACEMENT DOOR HINGE**
Allows for easy serviceability
without sacrificing energy density

**HEIGHT ADJUSTABLE
STAINLESS FEET**
To accommodate
installation requirements

Model Number

Blue Ion LX-HV

Grid Optional™ Energy Solution

System Technical Specifications

SYSTEM SIZE	125kW/128kWh
EXPANDABLE	125kW and 32kWh increments
DIMENSIONS PER 32kWh CABINET (H x W x D)	76 in x 24 in x 32 in (193.04 cm x 60.96 cm x 81.28 cm)
DIMENSIONS TOTAL (125kW/128kWh SYSTEM, H x W x D)	76 in x 119.6 in x 32 in (193.04 cm x 121.92 cm x 81.28 cm)
MOUNTING	Adjustable Feet, Seismic Wall Mount and Floor Mount
ALTITUDE LIMITATIONS	16,404 ft (5,000 m) at Full Power

Applications

OFF-GRID	Generation source agnostic, generator interface, load control, islanding capable, resiliency
GRID INTERCONNECTED	Microgrid with full grid interactivity and full off-grid capability, zero export, self consumption, tariff optimization, demand management, load shifting

Battery Specifications

STORAGE TEMPERATURE RANGE	-4°F to 113°F (-20°C to 45°C)
DISCHARGE TEMPERATURE RANGE	-4°F to 122°F (-20°C to 50°C)
CHARGE TEMPERATURE RANGE	32°F to 113°F (0°C to 45°C)
OPERATING AMBIENT HUMIDITY	10% RH to 90% RH
ENCLOSURE TYPE	Indoor (NEMA 1)
PERFORMANCE WARRANTY	15 Years or 8,000 Cycles to 70%* Remaining Capacity (100% DoD)
COOLING NOISE dB	65dB
C-RATE	1C*
CHEMISTRY	Lithium Ferrous Phosphate
WEIGHT	1,300 lb (590 kg) for 32kW increment

* Refer to warranty documentation

Inverter Specifications

EXPANDABLE IN 125KW INCREMENTS	Scalable up to 1MWH in Parallel Configuration
ENCLOSURE NEMA RATING	NEMA 3R
DIMENSIONS (H x W x D)	68.3 in x 23.6 in x 31.5 in (176.53 cm x 59.94 cm x 80.01 cm)
KW / VOLTAGE	125kW / 480v 3 Phase
COOLING NOISE dB	<72dBa @ 1 m (3.28 ft) at Rated Condition
WEIGHT	683 lb (310 kg)

Controller Specifications

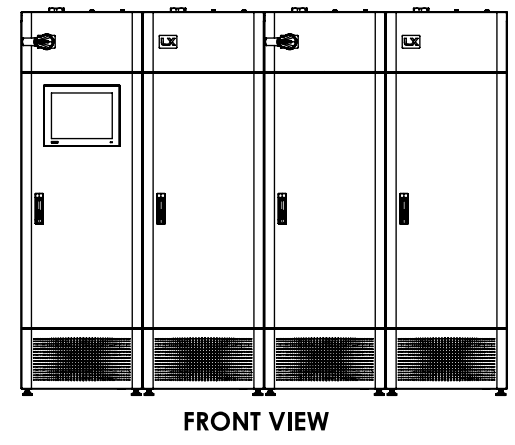
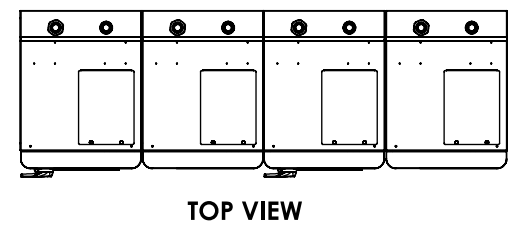
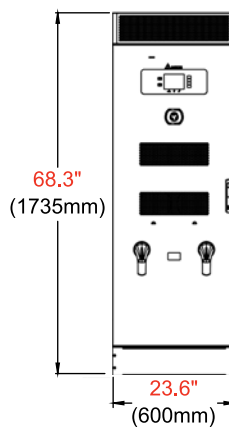
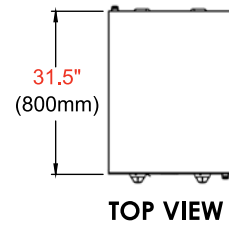
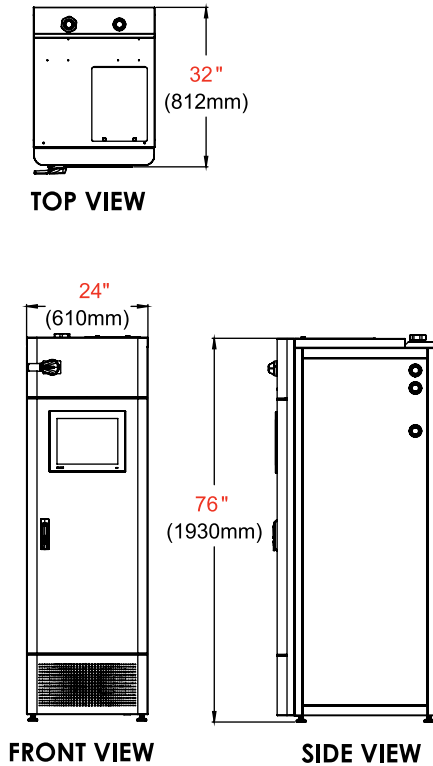
DATA ACCESS	Cloud, Local Area Network and/or Screen on LX-HV
-------------	--

Compliance Information

CERTIFIED TO	UL 9540, UL 9540A, UL 1642, UL 1741, UL 1973, UN 38.3, UL 1741 SA, IEEE 1547, Rule 21, HECO Listed
EMISSIONS	FCC Part 15 Class B, ICES-003 Class B



All dimensions = inch (mm)



INVERTER

128 kWh System



BLUE PLANET
ENERGY

Blue Planet Energy
55 Merchant St., 17th Floor
Honolulu, HI 96813

1.866.957.2246
sales@blueplanetenergy.com
blueplanetenergy.com